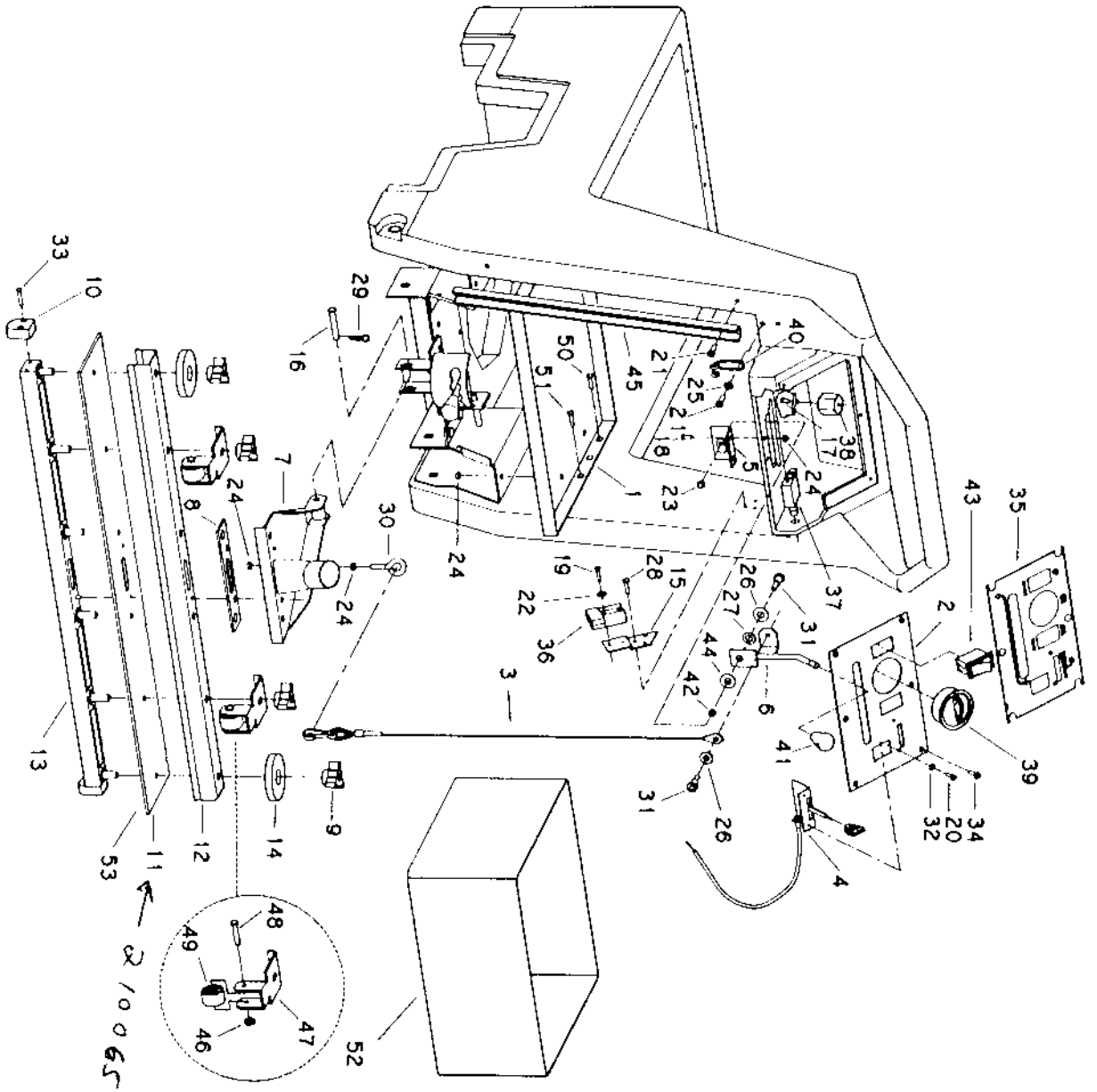


M1C 20021 Straight SR



## Parts List

Item	Part No.	Qty.	Description	Item	Part No.	Qty.	Description
1	210012	1	Battery Tray	28	830504	3	SCR-1/4-14 x .75 Pan
2	210026	1	Dashboard	29	711808	1	Cotter Pin-Hair #13
3	210020	1	Squeegee Lift Cable Assembly	30	712026	1	Wire Eye Btt. 1/4-20
4	210045	1	Solution Control Cable	31	712041	2	Blt-Sder 1/4-20 x .44 x .37
5	430059	1	Squeegee Lift Brkt. Assembly	32	712320	2	WSR-Nylon .22 x .45 x .04
6	430060	1	Squeegee Lift Arm Assembly	33	712517	4	SCR-MC 8/32 x 1 SS FH
7	210018	1	Squeegee Mount Assembly	34	712822	6	SCR-THMS 10-24 x .50 STPL
8	430073	1	Gasket Diecut PS Back	35	715059	1	Decal Lexan Dashboard
9	430074	6	Adjusting Nut	36	740159	1	SB175 Plug Red
10	430076	2	Nylon Squeegee Insert	37	740131	1	Brkr, Circuit Drive Motor 70
11	<del>210025</del> 210065	1	Squeegee Blade	38	740132	1	Insulator (glastic)
12	210024	1	Squeegee "U" Profile	39	740216	1	Gauge Battery Cond.
13	210023	1	Squeegee Casting Assembly	40	760286	1	Wire Formed Hook
14	430085	2	Squeegee Bumper Wheel	41	760592	1	Knob Oval Tapered
15	210072	1	Anderson Plg. Brkt.	42	762058	1	Spacer .319 x .375 x .250
16	430105	1	Clevis Pin .312 x 1.75	43	809754	2	Switch Rocker
17	710178	1	SCR-MC 1/4-20 x .50 STPL	44	829014	1	Flanged Bushing
18	710180	2	SCR-MC 1/4-20 x .75 STPL	45	430120	1	U Channel
19	710383	2	SCR-MC 1/4-20 x 1.25	46	370074	2	Hubcap
20	711124	2	SCR-ST-B 10 x .37 Ni	47	832973	2	Wheel Bracket
21	711161	4	SCR HI/LO 10 x 3/4 PL	48	832974	2	Clevis Pin
22	711554	2	WSR-Internal Lock 1/4 ID	49	370031	2	Center Wheel
23	711352	1	Nut-Acorn 1/4-20 ST N1	50	710195	5	SCR-MC 5/16-18 x .50 STPL
24	711425	4	Nut-Flanged Wizz 1/4-20	51	710197	1	SCR-MC 5/16-18 x .75 STPL
25	711503	2	WSR-Flat #10	52	210048	1	Battery Liner
26	711506	2	WSR-Flat 5/16 STPL	53	210065	1	Forward and Reverse Squeegee
27	711523	1	WSR-Wave .37 x .68 x .02				